

JOB:  
ITEM:  
QTY:

# PRODUCE CRISPING CART

## APPLICATION:

These racks allow for quick and easy access to all crisping baskets. These are great for transporting baskets from prep area into the cooler. These units accept Nestier, Buckhorn®, and Lewis chill baskets, 26"x29".

## MATERIAL:

Framework is constructed out of 1 1/2"x1 1/2"x .070" wall tubing, angle runners are constructed out of 1 1/4"x1 5/8"x.100" wall angle. Drip tray is constructed out of .063" aluminum sheet.

## CASTERS:

The mobile units come equipped with four 5" platform type swivel casters, two with brake. Stationary units come equipped with NSF certified adjustable feet.

## GUARANTEE:

These carts carry a **Lifetime Guarantee** against rust and corrosion and also carry a **Five-Year Guarantee** against workmanship and material defects.

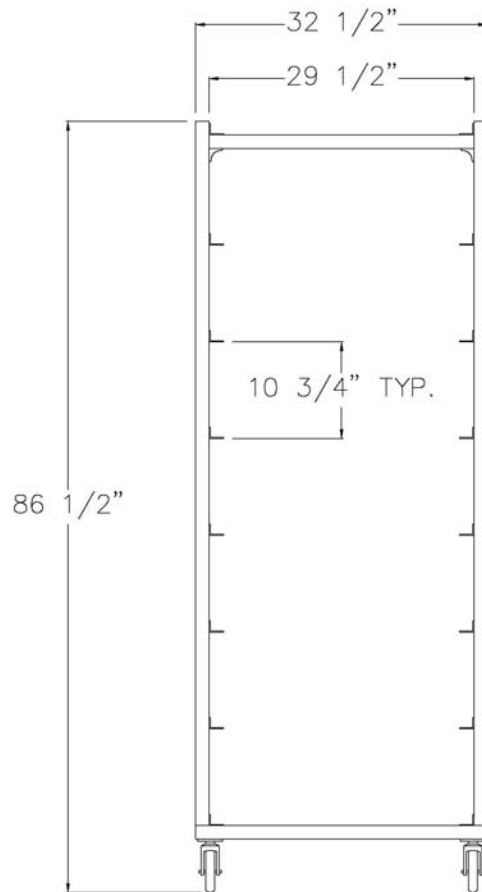


Model #1316



Phone:800-255-0104  
Fax: 877-877-7687  
[www.newageindustrial.com](http://www.newageindustrial.com)  
[sales@newageindustrial.com](mailto:sales@newageindustrial.com)

New Age Industrial reserves the right to modify or make changes at any time without notice to materials and specifications.



**Model #1316**

Model No.	Size-W	Size-H	Size-D	Basket Cap.	Runner Spacing
<b>Stationary Unit - Equipped with Adjustable Feet</b>					
1315	32 1/2"	81 1/2"	26"	8	10 3/4"
<b>Mobile Units</b>					
1316	32 1/2"	86 1/2"	26"	8	10 3/4"
95136	32 1/2"	75 5/8"	26"	7	10 3/4"
<b>Crisping Basket</b>					
307	26"	9"	29"		



Phone: 800-255-0104  
 Fax: 877-877-7687  
[www.newageindustrial.com](http://www.newageindustrial.com)  
[sales@newageindustrial.com](mailto:sales@newageindustrial.com)

New Age Industrial reserves the right to modify or make changes at any time without notice to materials and specifications.