



JOB:
ITEM:
QTY:

96000-WALL UNIT PIZZA RACK

APPLICATION:

This unit is 60" with adjustable sides with five bays to accommodate pizza boxes. This maximizes other space when you get your boxes up on the wall and out of the way.

MATERIAL:

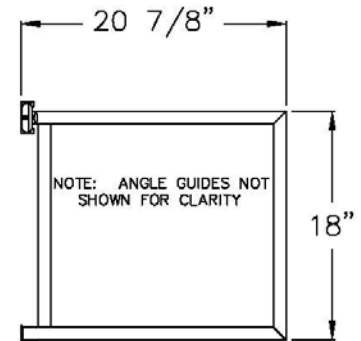
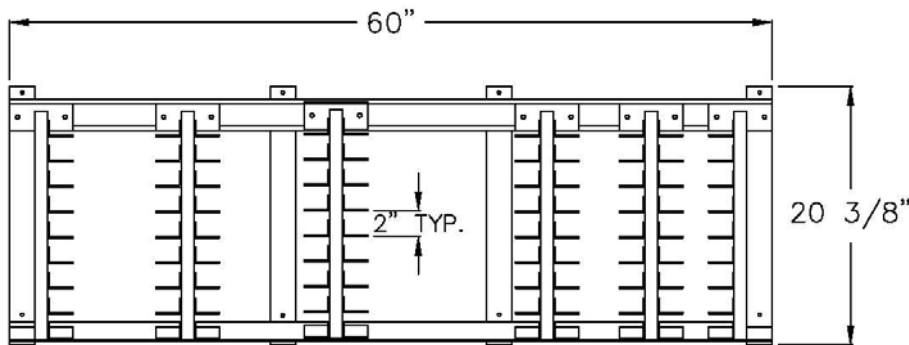
The wall bracket is constructed out of 1/4" x 2" strap, a slide channel is welded on the top that is 1/4" thick. This slide allows for infinite adjustment to meet your needs. The sides are constructed of 1 1/4" x 2" x .100" wall angle welded onto 1" x 1" x .070" wall tubing.



Model #96000

GUARANTEED TO LAST:

Guaranteed to last this unit carries a **Lifetime Guarantee** against rust and corrosion and also a **Five-Year Guarantee** against material defects and workmanship.



Model No.	Size-W	Size-H	Size-D	Runner Spacing	Pan Cap.
96000	60"	18"	20 7/8"	2"	45



Phone:800-255-0104
Fax: 877-877-7687
www.newageindustrial.com
sales@newageindustrial.com

New Age Industrial reserves the right to modify or make changes at any time without notice to materials and specifications.