



BA1TA2 Breader/Sifter

General Specifications

- The Winston Breader/Sifter is a compact work station for preparing product for frying. Wet and bread your product, then load onto the fryer basket.
- Sift up to 25 lbs. of breading in just two minutes. It separates dough balls while blending breading and seasonings to be reused.
- Lower the lid and you have additional work space for rolling, kneading, cutting, and more.
- Maintenance is easy. Top grade stainless steel is easy to clean. There are no electronic parts to wear out.
- Winston equipment is built to comply with applicable standards for manufacturers. The breader/sifter is UL Sanitation approved. Many local codes exist and it is the responsibility of the owner and installer to comply with these codes.



BA1TA2

Functions: Wetting, breading, blending, loading, & sifting

Capacity: 25 lbs of breading (11 kilo)



Winston Industries, LLC.

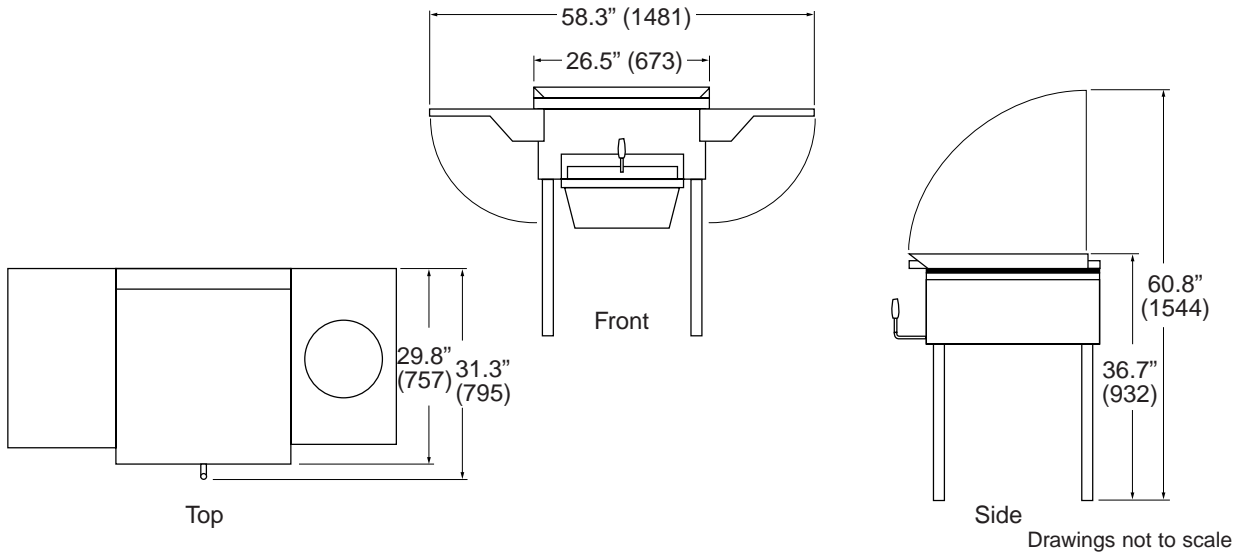


Winston Products International, Ltd.



BA1TA2 Breeder/Sifter

Buy Winston Service
Parts Online!
Factory direct at
www.winstonind.com



Capacity	Size in (mm)	Ship Wt lb (kg)	Ship Cube ft (M)	Class
BA1TA2 Deluxe 25 lbs.	H =36.7" (932) W=58.3" (1481) D =31.3" (795)	131 (60)	23.7 (0.67)	85
		Int'l w/skid 156 (71)	w-skid call factory	

Short Form Specs

Shall be Winston Breeder Sifter, Model BA1TA2 or BA1TA4, to be constructed of stainless steel and used for breading, sifting, blending, and more. Model BA1TA2 provides stainless steel folding shelves with provisions for a plastic lug and stainless steel basket to wet and drain product.

Construction

Materials: To be 16 - 18 gauge stainless steel.

Electrical: None

Warranty:

Limited one year parts and labor. Warranty disclaimer for failure to clean. Ask for complete warranty details.

Model

BA1TA2
BA1TA4

Description

Breeder/Sifter, deluxe
Breeder/Sifter, deluxe, legs w/2 locking and 2 non-locking casters

Includes:

BA1TA2
25 lb. Lug with hold and cover
Hinged lid with basket hanger
16" Stainless steel shelf-solid
16" Stainless steel shelf with hole
Dip bucket
Dip basket

Optional Accessories

PS1115 Breading lug, plastic, bottom
PS1186 Breading lug, hole cover for top lug, metal
PS1292 Basket, SS (for dipping product before breading)
PS1317 Breading lug, plastic, top with hole
PS1581 Bucket, plastic, (for PS1292 dip basket)

Winston Industries, LLC.  Winston Products International, Ltd.