

Breading & Batter Table

Model BBT



Chicken preparation was never simpler than with the Giles Portable Breading and Batter Table. A Food Box Shelf for chicken and a batter pan with a spring loaded, hinged basket to deliver the chicken into the breading - makes preparation quick and easy.

There is no messy clean-up with the new stainless steel pans. Pans easily slide in and out to allow for quick clean up.

The staging tray attached to the BBT also allows for easy preparation and loading of the fryer.

Design Features



Manual Breading Sifter

The manual sifter allows breading to fall through to the plastic food box to be reused after sifting. Breading debris can be disposed of after sifting.



Listings



Giles Foodservice Equipment

An ISO 9001 Registered Company

2750 Gunter Park Drive West • Montgomery, AL 36109 USA

334.272.1457 • Fax 334.272.3561 • Phone Toll Free 1.800.554.4537

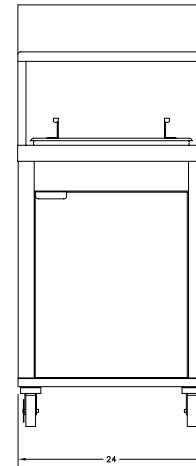
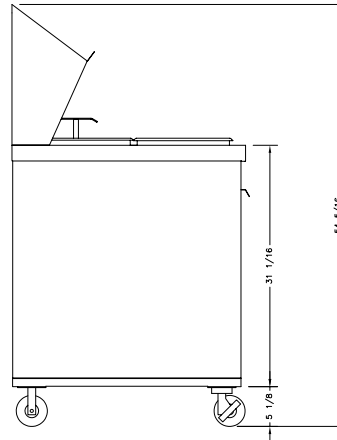
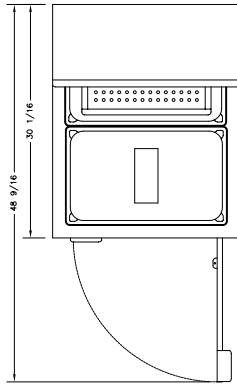
Web Site: www.gilesent.com • Email: info@gilesent.com

[BACK TO INDEX](#)

Breading & Batter Table

Model BBT

Item No.: _____
 Quantity: _____
 Project Name: _____
 SIS#: _____
 AIA/CSI#: _____



Inches [millimeters]

Top

Side

Front

Specifications

We reserve the right to change specifications and product design without notice. Such revisions do not entitle the buyer to corresponding changes, improvements additions or replacements on previously purchased equipment.

Construction:

Cabinet and Shelves: 18Ga Stainless Steel

Dimensions:

Width: 24" [610 mm]

Depth: 30" [762 mm]

Height: 54-5/16" [1380 mm]

Breading Pan: 20"Width X 12-13/16"Length X 8" Depth
 [508 mm X 325 mm X 203 mm]

Batter Pan: 20"Width X 13"Length X 6" Depth
 [508 mm X 330 mm X 152 mm]

Food Boxes: 18" Width X 26" Length X 6" Depth
 [457 mm X 660 mm X 152 mm]

Listings:

NSF

Product Designation:

BBT

Shipping Specifications:

Crated Weight:

BBT: 209 lbs [95 kg]

BBT-CT: 63 lbs [29 kg]

BBT Crated Cube Size: 40" X 48" X 45" = 50 cu ft
 [1016 mm X 1219 mm X 1143 mm = 1.071 cu meters]

BBT-CT Crated Cube Size: 21" X 32" X 27" = 10.5 cu ft
 [534 mm X 813 mm X 686 mm = .3 cu meters]

Accessories Included

Unit is shipped with (1) Breading Pan with plastic plug, (1) Batter Pan, (2) Plastic Food Boxes with covers, (1) Stainless Steel Sifter with rack, (1) Dunk Basket, (1) Sifter Table.

****Note: Counter Top model does not include sifter

How To Specify

1. Models

Specify the part number from the following:

| | QTY | Model | Part Number |
|--------------------------|-----|--------|-------------|
| <input type="checkbox"/> | | BBT | 70756 |
| <input type="checkbox"/> | | BBT-CT | 79210 |

2. Accessories*

Specify the part number and quantity of the following accessory items needed:

| | Qty | Description | Part Number |
|--------------------------|-----|-------------------|-------------|
| <input type="checkbox"/> | | Breading Pan | 39368 |
| <input type="checkbox"/> | | Batter Pan | 38902 |
| <input type="checkbox"/> | | Food Box | 70875 |
| <input type="checkbox"/> | | Breading Pan Plug | 76027 |

*Additional charges

Giles Foodservice Equipment

2750 Gunter Park Drive West • Montgomery, AL 36109 USA
 334.272.1457 • Fax 334.272.3561 • Phone Toll Free 1.800.554.4537
 Web Site: www.gilesent.com • Email: info@gilesent.com

3. Shipping

Specify the shipping method

BACK TO INDEX