

Models:  DW-1A  HL-1A  PD-1A  PD-1A-CE  
 QUANTITY: ITEM#:

PRODUCT:

## Designed Smart.

### PD-1A Portable Display Warmers Maximum Overhead Heat for warming areas

- Unique heating system provides uniform heat over the entire heating surface. Cold or hot spots are not a problem.
- Polished "mirror finished" stainless steel reflectors behind heating elements radiate more heat toward food. APW Wyott is the only Portable Display Warmer system that utilizes this feature.

### Easy To Use and Clean

- Lighted switch is a standard feature that keeps your employees aware of the unit's operation.
- Made with "easy to clean" stainless steel.

### DW-1A/HL-1A Portable Bulb Warmers Attractive, sophisticated styling

- Excellent for carving stations, buffets, or catered events.
- Mirror polished stainless steel shade around heat bulb offers a very upscale presentation that augments any serving situation.

### Easy To Use and Clean

- DW-1A lamps are adjustable between 16-1/4" and 20" above the warming surface to allow for optimal heat levels on your food.
- HL-1A model is easy to install on counters, requiring only a 3/8" diameter hole. HL-1A Lamps are at a fixed height of 17-3/4" above warming surface.

## Built Solid

### Most Durable Portable Warmers in the industry

- Stainless steel construction resists corrosion, is easy to clean, and presents an attractive appearance.
- PD-1A Warmers have metal-sheathed heating elements that offer enhanced durability and "consumer safety" vs. quartz tube heating elements that shatter too easily.
- The DW-1A/HL-1A Warmers use shatter proof infrared bulbs.
- High temperature insulated wire is used for long life.

### Reliability backed by APW Wyott's Warranty

- All APW Wyott portable display warmers are backed by a 1-year warranty, on heating elements and a 1-year Parts and Labor warranty.



\* PD-1A only



**MODEL PD-1A DISPLAY WARMER**



**MODEL DW-1A DISPLAY WARMER**

## APW Wyott Design Features

### PD-1A

- All stainless steel warmer.
- Unbreakable, infrared metal sheathed tubular heating element! Heavy-duty, won't droop.
- Easy element change out.
- PD-1A – Display base accepts 12" x 20" of fractional pans (sold separately).

*See Reverse Side for product specifications*

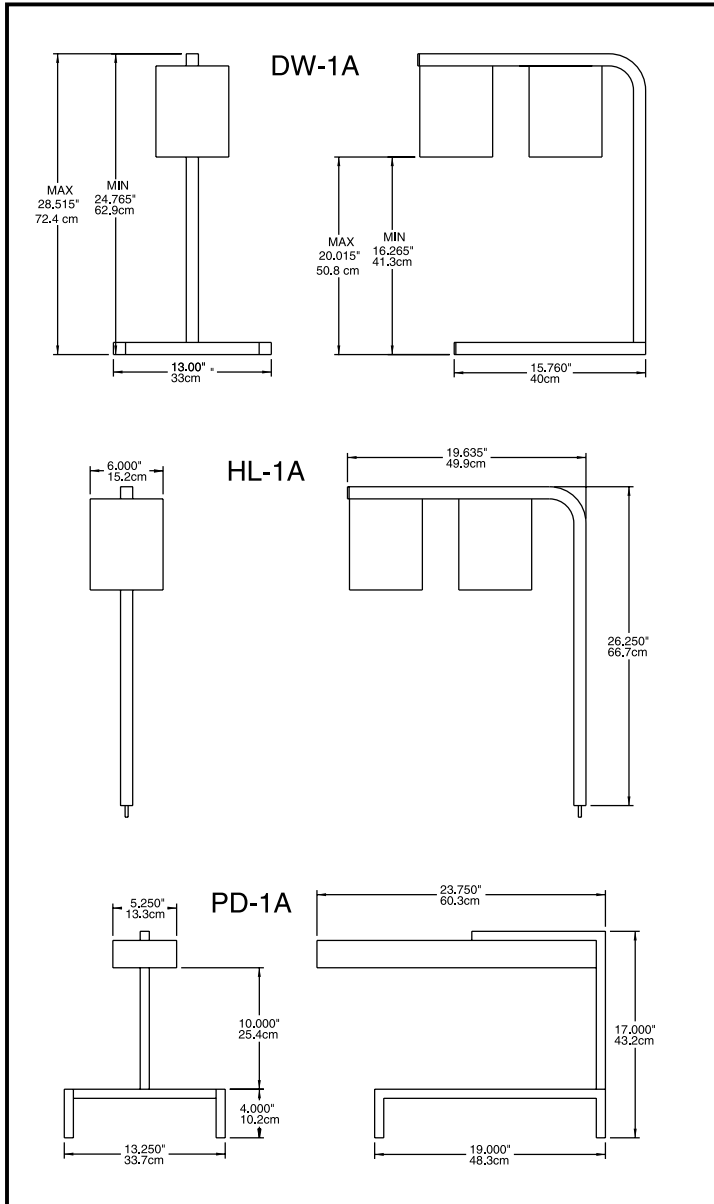
### DW-1A/HL-1A

- Attractively styled.
- Stainless steel reflectors.
- Vented at top for maximum bulb life.
- Two 250W infrared bulbs included.
- DW-1A – Display base accepts 12" x 20" of fractional pans (sold separately). 3 3/4" of adjustment on lamp support.

PRODUCT:

QUANTITY:

ITEM#:



Model DW-1A, HL-1A, and PD-1A

**PRODUCT SPECIFICATIONS**

**Construction:**

PD-1A is made of stainless steel, including base. Bulb Shields on HL-1A and DW-1A are made of mirror-polished stainless steel.

**Dimensions**

PD-1A: 17" H x 13<sup>1</sup>/<sub>4</sub>"W x 23<sup>3</sup>/<sub>4</sub>"D  
(45.1 cm x 34.9 cm x 63.5 cm)

DW-1A: 28<sup>1</sup>/<sub>2</sub>" H x 13"W x 19<sup>2</sup>/<sub>3</sub>"D  
(71.8 cm x 33.0 cm x 49.9 cm)

HL-1A: 26<sup>1</sup>/<sub>4</sub>" H x 6"W x 19<sup>2</sup>/<sub>3</sub>"D  
(66.7 cm x 15.2 cm x 49.9 cm)

\* See left for min/ max distance recommendations.

**Electrical Information:**

Each unit is equipped with a 60", three wire grounded power cord that terminates with a standard three-pronged male plug. 120V units use a NEMA 5-15P plug, 240V units use a NEMA 6-15P plug.

**Electrical Specifications**

PD-1A: 120V, 575W, 4.8 Amps

PD-1A-CE: 230V, 575W, 2.5 Amps

240V, 575W, 2.3 Amps

DW-1A: 120V, 500W, 4.2 Amps

240V, 500W, 2.0 Amps

HL-1A: 120V, 500W, 4.2 Amps

240V, 500W, 2.0 Amps

**Ship Weight**

PD-1A: 13 lbs. (5.9 kg)

DW-1A: 16 lbs. (7.3 kg)

HL-1A: 13 lbs. (5.9 kg)

F.O.B. Dallas, TX

**World Class Support**

World Class Sales Support to assist you with finding the right solution to your operation's needs. Call Customer Service at (800) 527- 2100 or Fax your request to 1-(214) 565-0976.

For more information about APW Wyott's World Class Support and High Performance Equipment, look us up on the Internet at [www.APWwyott.com](http://www.APWwyott.com)

Most Extensive Service System in the Industry! APW Wyott has two levels of service support for your needs:

- Direct Service Hot Line to Service Department, call (800) 527-2100.
- To find the Registered Service Technician in your area, call Automated Service Hot Line at (800) 733-2203.