

Giles Heated Merchandiser

Model GHM



GHM 8

The **Giles Heated Merchandiser (GHM)** is designed to maximize menu selections while keeping them fresh and at the proper serving temperature waiting for your customers to enjoy.

The **GHM** has been developed with flexibility in mind. Deli personnel have the option of displaying fresh prepared foods for full service, or placing pre-packaged foods for customer self-service. In either case, your products are highly visible and appealing to the customer.

Design Features

GHM Standard Features

To ensure food is at proper serving temperature the GHM includes an easy to use mechanical thermostat with thermistor to control the well heaters, and variable control for the heat lamps.

To maximize visibility of product the GHM is equipped with European Style Glass.



GHM 6



GHM 4

Listings



Giles Foodservice Equipment

An ISO 9001 Registered Company

2750 Gunter Park Drive West • Montgomery, AL 36109 USA

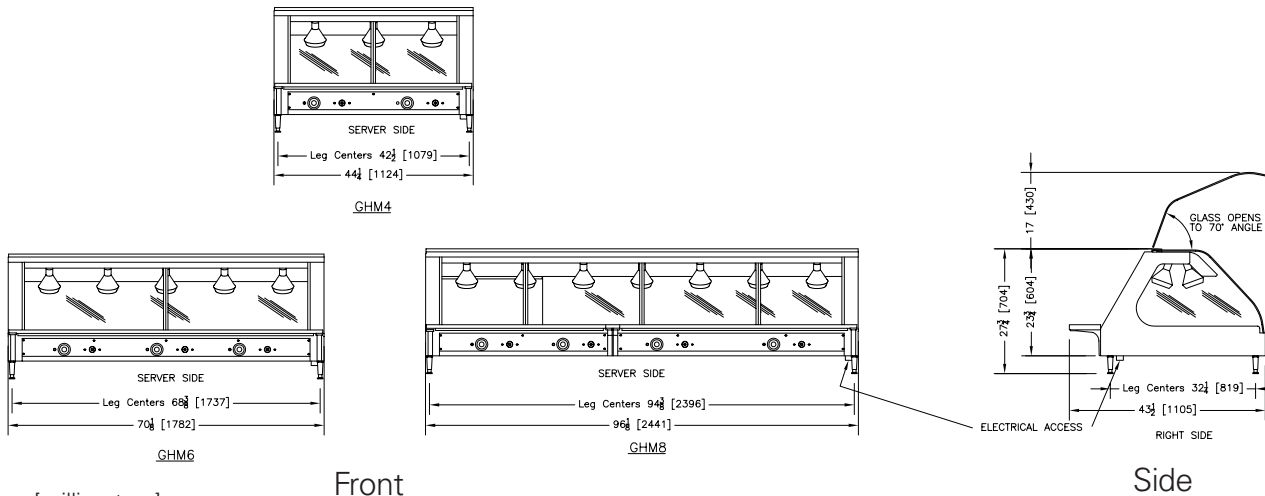
334.272.1457 • Fax 334.272.3561 • Phone Toll Free 1.800.554.4537

Web Site: www.gilesent.com • Email: info@gilesent.com

[BACK TO INDEX](#)

Giles Heated Merchandiser

Model GHM



Inches [millimeters]

Specifications

We reserve the right to change specifications and product design without notice. Such revisions do not entitle the buyer to corresponding changes, improvements additions or replacements on previously purchased equipment.

Construction:

Cabinet and Shelves: 18Ga Stainless Steel

Dimensions:

GHM 8: 96-1/8" Width X 43-1/2" Depth X 27-3/4" Height
 [2442 mm X 1105 mm X 704mm]

GHM 6: 70-1/8" Width X 43-1/2" Length X 27-3/4" Depth
 [1782 mm X 1105 mm X 704mm]

GHM 4: 44-1/4" Width X 43-1/2" Length X 27-3/4" Depth
 [1124 mm X 1105 mm X 704mm]

Electrical Specifications :

Available voltages: 208/220/240/380

1 Phase: 208/220/240

3 Phase: 380

Listings:

UL Sanitation, UL / UL Canada

Product Designation:

GHM

Shipping Specifications:

Crated Weight:

GHM 8: 818 lbs [368 kg]

GHM 6: 621 lbs [282 kg]

GHM 4: 489 lbs [222 kg]

GHM 8 Crated Cube Size: 54" X 108" X 43" = 145 cu ft

[1372 mm X 2743 mm X 1092 mm = 4 cu meters]

GHM 6 Crated Cube Size: 54" X 84" X 43" = 113 cu ft

[1371 mm X 2134 mm X 1092 mm = 3 cu meters]

GHM 4 Crated Cube Size: 54" X 64" X 43" = 86 cu ft

[1371 mm X 1626 mm X 1092 mm = 2 cu meters]

Accessories Included

Unit is shipped with: Pan dividers, Cutting board, Heat lamps

How To Specify

1. Models

Specify the part number from the following:

	Voltage	HZ	Phase	Nomenclature	Part #
<input type="checkbox"/>	208	60	1	GHM 8 Full Serve	70622
<input type="checkbox"/>	208	60	1	GHM 8 Self Serve Right	70469
<input type="checkbox"/>	208	60	1	GHM 8 Self Serve Left	70468
<input type="checkbox"/>	208	60	1	GHM 6 Full Serve	70470
<input type="checkbox"/>	208	60	1	GHM 6 Self Serve Right	70472
<input type="checkbox"/>	208	60	1	GHM 6 Self Serve Left	70471
<input type="checkbox"/>	208	60	1	GHM 4 Full Serve	70598
<input type="checkbox"/>	208	60	1	GHM 4 Self Serve	75665

(*Also available in 220/240/380 and with mirrored glass)

Giles Foodservice Equipment

2750 Gunter Park Drive West • Montgomery, AL 36109 USA

334.272.1457 • Fax 334.272.3561 • Phone Toll Free 1.800.554.4537

Web Site: www.gilesent.com • Email: info@gilesent.com

2. Accessories** (**Additional charges)

Specify the part number and quantity of the following accessory items needed:

	Qty	Description	Part Number
<input type="checkbox"/>		Self Serve Tile	66033
<input type="checkbox"/>		Full Size Pan 4" Deep	76184
<input type="checkbox"/>		Full Size Pan 2-1/2" Deep	76183
<input type="checkbox"/>		1/2 Size Pan 4" Deep	76186
<input type="checkbox"/>		1/2 Size Pan 2-1/2" Deep	76185
<input type="checkbox"/>		1/3 Size Pan 4" Deep	76189
<input type="checkbox"/>		1/3 Size Pan 2-1/2" Deep	76188
<input type="checkbox"/>		Full Size Steam Grate	76027
<input type="checkbox"/>		1/2 Size Steam Grate	76208
<input type="checkbox"/>		1/3 Size Steam Grate	70165

3. Shipping

Specify the shipping method

BACK TO INDEX