

Portable Oil Caddy

Model GOC



With the versatile Giles Portable Oil Caddy you can remove old shortening from a fryer and safely transport and dispose of the unwanted grease.

The Portable Oil Caddy will pump or extract new and used shortening. To reverse shortening flow, simply reverse the direction of the crank handle.

The portable nature of the Giles Portable Oil Caddy gives it flexibility and efficiency, which saves you time and money. It's a perfect space-saver

Design Features



Sight Glass

Equipped with a Sight Glass to provide for easy viewing of shortening level. This prevents overfilling and spillage.

Shortening Storage

The large storage area is enough to hold two medium size fryers (80 lbs) of shortening.



Listings

Giles Foodservice Equipment

An ISO 9001 Registered Company

2750 Gunter Park Drive West • Montgomery, AL 36109 USA

334.272.1457 • Fax 334.272.3561 • Phone Toll Free 1.800.554.4537

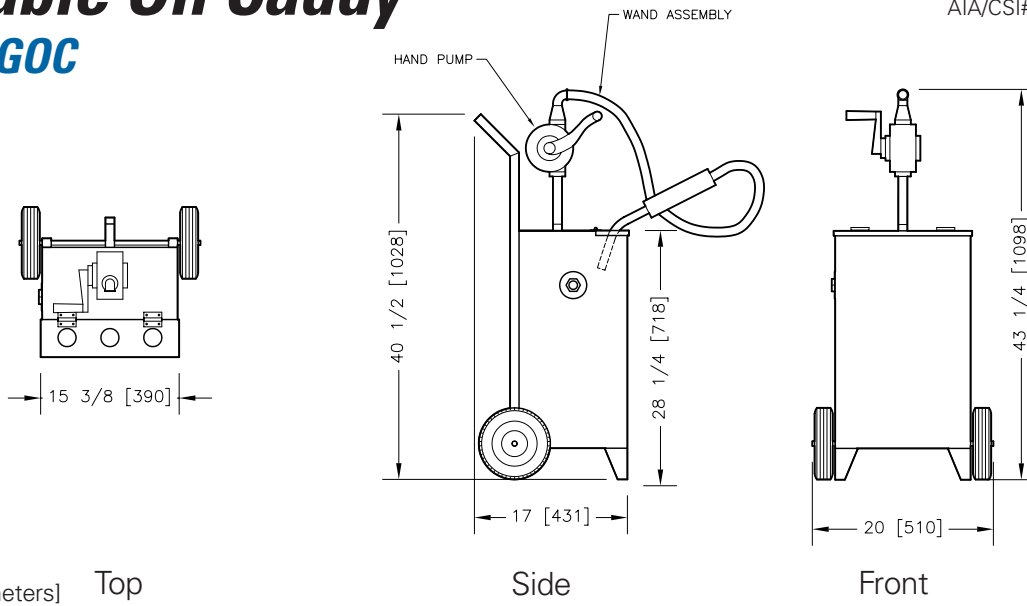
Web Site: www.gilesent.com • Email: info@gilesent.com



Portable Oil Caddy

Model GOC

Item No.: _____
 Quantity: _____
 Project Name: _____
 SIS#: _____
 AIA/CSI#: _____



Inches [millimeters] **Top**

Side

Front

Specifications

We reserve the right to change specifications and product design without notice. Such revisions do not entitle the buyer to corresponding changes, improvements additions or replacements on previously purchased equipment.

Construction:

Cabinet: 20Ga Stainless Steel

Dimensions:

Width: 20" [508mm]
 Depth: 17" [432 mm]
 Height: 43-1/4" [1099 mm]

Operating Temperature:

Maximum Operating Temp: 350° F (177°C)
 Minimum Operating Temp: 100°F (38°C)

{For use with filtered oil only}

Capacity:

Holding Capacity: 80 lbs of liquid shortening

Listings:

N/A

Product Designation:

GOC

Shipping Specifications:

Crated Weight: 67 lbs [137 kg]
 Crated Cube Size: 21" X 18" X 46" = 10 cu ft
 [534mm X 457mm X 1169mm = .3 cu meters]

Accessories Included

Unit is shipped with (1) Discharge Hose.

How To Specify

1. Ordering Options
 Specify the part number:

2. Shipping
 Specify the shipping method

	Model	Part Number
<input type="checkbox"/>	GOC	79187

Giles Foodservice Equipment

2750 Gunter Park Drive West • Montgomery, AL 36109 USA
 334.272.1457 • Fax 334.272.3561 • Phone Toll Free 1.800.554.4537
 Web Site: www.gilesent.com • Email: info@gilesent.com

